

Smart Green House Based on IOT

M.Nagabhushana Rao¹, K.Chakri Ajit², G.Phanindra Kumar³

^{1,2,3}Department of CSE, K L E F, Vaddeswaram, Guntur, Andhra Pradesh, India

*Corresponding author E-mail: mnraosir@gmail.com

Abstract

In conventional strategy for cultivating, human works was necessary to see the greenhouse at particular point want to observe all the required levels physically. The regular technique is observed to be slow and require a large amount of effort and energy. Along these lines this analysis around building up a framework that can consequently screen and anticipate various changes in light, temperature Soil moisture and humidity levels of the greenhouse. The goal of the survey is that to build up a programmed monitoring device observing framework utilizing sensors and send email warnings and messages to the mobiles. The recommended framework has an estimation which equipped for identifying the levels of light, temperature, soil moisture and humidity. The framework additionally had an instrument to caution agriculturists with respect to the limitation change in the conservatory then safeguard measures can be taken in advance. In this examination, a few experiments was directed to a particular final aim to demonstrate the suitability of framework. Test outcomes showed that the dependability of the framework in spreading data straightforwardly to the agriculturists could be picked up astoundingly in different conditions

Keywords: Microcontroller, different sensors, ESP8266, email notifications.

1. Introduction

1.1 Contexts

A nursery is constructed by the crystal or plastic housetop and intermittently crystal or plastic dividers, objects are the inner parts of that place. In different meaning, a nursery is the construction ordinarily build with the crystal or plain synthetic that gives confirmation and a managed area for growing plants it warms up in light of the way that moving toward sun powered radioactivity from the daylight that can warm soil, plants and alternative inner parts. water is one of the basic segment in human life. Lack of water leads to the problem in sustaining ourselves. Although we likely mindful, an expansive bit of the horticulture laborer occupations manual structure towards their plant in the plant besides, in addition to that nursery. The structure is unsuitable. Exactly when it is done physically, the likelihood to gain a couple of plant that can choke. In ask for to vanquish the issue, modified nursery had been used

1.2 Purpose

The primary target of the particular undertaking is to consequently manage the framework in plant house utilizing humidity, temperature moisture and light sensors. The worry with a great deal of shopper require and interest of farming items has animated mindfulness in the group of agriculturists that expands their items in the marketplace by executing development in the particular industry. The items which are essential that can go to the agriculturist's advantage that manages the utilization for the regular resources and regular habitat that manages farming with different perspectives. In this paper utilizes different sensors and ESP8266 for email notifications and messages to the user mobile benefit to whole data from the greenhouse with sensors specifically alarm

the agriculturists to their portable telephone. In this manner, this issue makes agriculturists' intrigue to actualize agro conditions sending alarm warning messages to farmers utilizing ESP8266.

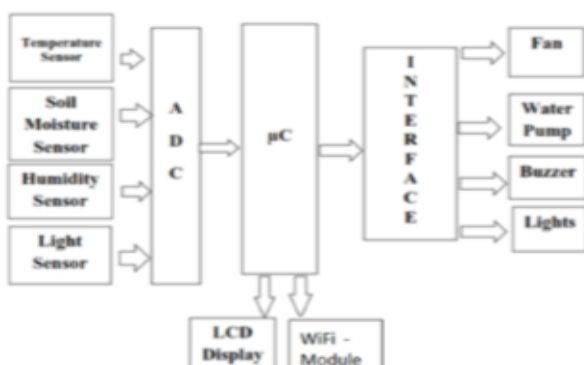
1.3 Scope

This paper includes the advancement of light, temperature, moisture and humidity naturally. The programmed managing of the limitations in the framework is utilized as a part of a greenhouse. sensor used for changing the temperature will be LM35. this framework ought to likewise screen the climate level. The programmed checking framework can be actualized in different conditions, for example, in checking temperature, humidity, light also, soil moisture levels. This paper concentrates exclusively in checking different levels of the limitations in the green house. By using the present innovation, The characteristic condition also, asset whatever we receive normally, the temperature is exceptionally essential standards of plants that should be checked productively. Already, people work has the major role in checking cultivation. For a few significant plants similar to veggie lover what's more, blossoms shrubs, which require a day consideration from the people then the shrub amounts what's more, characteristics are controlled with appropriate administration by the gathered information what's more, data from the fields. It will give huge establishment for further growth what's more, future advancement of their plants in the green house. Be that as it may, with the expanding estimate in cultivating regions, this type of manual hone is increments time devouring what's more, cost of the work. In any case, with the development of administration in farming procedures and with present day media transmission advancements which furnish extraordinary help by the execution in farming production

2. Working Methodology

The gear factor of the model of a structure remains spoken to from a piece diagram yell. It comprises of AT89S52 microcontroller as a essential taking care of factor and it gains contributions from light, temperature, humidity and soil moisture sensors. The actual data gained from sensors, the program mastery the actuator units, for instance, sprinkler, fan, Relay4 and LED to achieve a structure requirements. It moreover uses ESP8266 Wifi module to send information of the sensor as email and sms for the user.[2]. The structure fills in corresponding to the stream plot display. The temperature screen and authority structure contains a LM35 a customer method switches the fan to get cooling. The customer method change is related to stick in the microcontroller what's more, attempted paying little heed to check if the controller is on, in case if it is on the AT89S52 protects the regard to Electrically Erasable Programmable Read Only Memory put by the customer . The basic info regard is changed over to an automated regard using Analog to Digital what's more assumed to the microcontroller. From then it was be created to an source zone of the Electrically Erasable Programmable read only memory. The user interface by then orders afresh paying little heed to whether the customer mode switch is crushed what's more, in case it is ON yet again the program changes over the straightforward info regard to cutting edge likewise, protects it in the flexible additionally, the Electrically Erasable Programmable read only memory. If the turn is shutdown the program went into modified method likewise, deals with the temperature to the regard consider by the customer. In this method the temperature sensor knows the current temperature regard likewise, gives it to stick of the MC. The information is a basic more-over, it is turned over to a modernized info besides ,adjusted .At that point it is demonstrated moreover, checked with the customer described regard by decreasing the present temperature regard from the customer portrayed temperature regard protect in the Electrically Erasable Programmable read only memory. If the outcome is wrong it suggests that the being temperature regard to high significant than the customer portrayed temperature regard so the MC came the stick extra to start the cooler fan to slow down the temperature to the customer described regard besides, and to broadcast the message warning to the customer. If two of the standard are approach the output is 0 by then the two pins are set to less thusly propeller is traded stop what's more,compose message alert to customer versatile. The stickiness level is excessively determined, making it impossible to a pretend consummate regard like temperature screen what's more, manage structure. The basic regard is changed over to a propelled regard what's more, protect in Electrically Erasable Programmable read only memory By then this regard is decreased from the ideal regard what's more, in case the output is zero by then stick made high what's more, compose message alert to customer flexible. Exactly when the outcome is wrong yet again the stick is low what's more, compose message alert to customer adaptable. Moreover for soil dampness what's all the more, Light sensor.

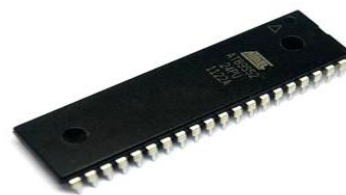
2.1 Block Diagram of Working Model



3. Explanation of Parts

3.1 AT89S52

We will utilize MC family. The MC is the core of 8051 family as saying embedded system. It continually curtains with computerised limitations of the diverse radars and affirms them with the pretend edge esteems and verifies if each and every remedial change is to be make for state true then and their of clock. The AT89S52 is a capable microcontroller which gave a profoundly flexible and cost14 compelling answer for some embedded manage function In count, the AT89S52 is composed with constant validation for task dejected to nil repetition and assistances with the twice of user interface design collect power careful methods. The unique method halt the Computer proceesing unit to dowhile entering the Random Access memory, time/offsets, serial port, and inhibit to the structure of the classification to restart the functioning.



3.2 ADC

Sensors can distinguishes the assortment in ecological limitation for instance, temperature, stickiness, light and dampness and assigns with scrutinizing to the assortment by current So by means of the straight forward banner we couldn't particularly broadcast to the global System for mobile communication device. Thusly, we had to need easy to cutting edge changing (MicroChip3204/3208). The smallchip Innovation Inc. MicroChip3204/3208 resource with dynamic gauge 12-bit ADC (A/D) Changing with on panel test and grip equipment.

Types:

- 12-bit assurance
- ± 1 Least significant bit high Differential non linearity
- ± 1 Least significant bit high integral non linearity (Microchip 3204/3208-B)
- ± 2 Least significant bit high integral non linearity (MicroChip 3204/3208-C)
- 4 (MicroChip 3204) or 8 (MicroChip3208) income paths
- In the notch test and grip
- one source errand: 2.6V - 5.4V

3.3 LM35

The LM35 strategy are accuracy formed path temperature radars, whose yield current is absolutely regarding the degree °C temperature. The LM35 thusly has great position over absolute temperature sensors balanced in° Kelvin, as the client isn't necessary to decrease a wide enduring current from its regard get pleasing centigrade mount. Temperature sensor can be utilized with the Arduino to quantify the temperature in the nursery. On the off chance that the temperature may rises, It would triggers the cooling gadgets.

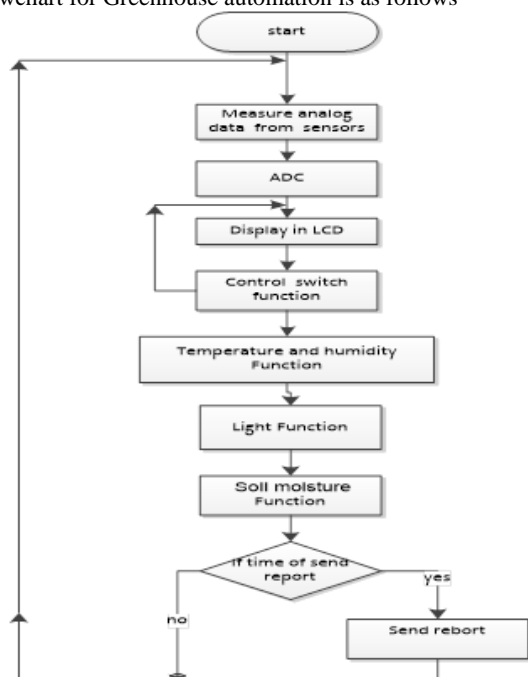
4. System Overview

At introductory a temperature point is set. The temperature sensor assets the modification in input temperature .After standard trim this direct flag is given to the microcontroller. The little scale controller changes over it to make strides coordinate utilizing on chip ADC. On the off chance that the temperature recognized is underneath beyond what many would consider possible respect, the controller unit will start the radiator. With regards to beyond what many would consider possible it will kill the radiator. If the temperature identified is over beyond what many would consider possible, and has been begin the windbag to cut the temperature less. With regards to underneath a consider outlet, its has destroyed the windbag. Thusly, temperature is managed. In like manner, an energy of light can be managed. At first power outlet is consider that. Light sensor recognizes the adjustment in inside the strength of light. In case the energy of light identified is underneath quite far set, the processing unit would toggle on handle. When it accomplishes beyond what many would consider possible it will kill the handle. Thusly, energy of light is managed. Mugginess could be manage by means of a dampness device. At first Humidity is consider. Stickiness device is recognizes the alteration in moistness. If the moistness recognized is underneath beyond what many would consider possible set, the controller unit would change on the wipe. When it accomplishes beyond what many would consider possible it will switch on the humidifier. Thusly, stickiness is controlled. After it resources power of temperature, light besides, mugginess it gives mechanized show at the yield on LCD.

5. Software Module

Programming is created in Arduino. Programming is utilized for user interface design and managing of light force temperature, mugginess, and soil dampness. The Arduino is the core of the structure. It repeatedly screen the simple or digitalized limitations of the various sensors, affirms them and verifies if any restorative change is to be invented for the action without a moment's pause of time.. On the off chance that such circumstance emerges, It will send an alert messages to the approved client and enacts the gadget, for example, engines, coolers, pumps , sprayers , lights and so on.

Flowchart for Greenhouse automation is as follows



6. Outcomes

Light sensor is fundamentally changes with diverse power of light. A humidity sensor, likewise called a hygrometer, measures and routinely reports the relative moistness noticeable all around. Soil dampness sensor measure the water content in soil. The qualities originating from all sensors are given to microcontroller and showed on LCD show additionally those values are transferred on site through Wifi module. The accompanying table speaks to the qualities coming from various sensors to LCD show.

Table 6.1: Display of sensor esteems

NO	Variables	ValuesIn units
1	Temperature	34 In Celcius
2	Humidity	51% In Rh
3	Light	320 Lux
4	Soil Moisture	40 In Meter Cube

These qualities are contrasted and limit esteems what's more, appropriately the controlled gadgets are turned ON or OFF.

7. Conclusion

We have verified our results regarding this paper work and implemented a new technology of sending the details of all the sensors in the green house to the email as the notifications , this had been done by using the ESP2866(wifi module) sensor.

From this system the user can be easily monitor all the current working status of all the sensors in the green house.

8. Future Scope

Implementation of voice based device to alert the user can also be introduced .

References

- [1] Prakash.H. Patil, Chaitali Borse, Snehal Gaikwad, Shilpa Patil Greenhouse Monitoring System Using GSM.International Journal of Scientific & Engineering Research, Volume 4, Issue 6, June-2013 1769 ISSN 2229-5518 IJSE © 2013 Link-<http://www.ijser.org>
- [2] izzatdin abdul aziz, mohd hilmi hasan, mohd jimmy ismail, mazlina mehat, nazleeni samiha haron"Remote Monitoring in Agricultural Greenhouse Using Wire-less Sensor and Short Message Service (SMS)"
- [3] Kiran Sahu, Mrs. Susmita Ghosh Mazumdar Digitally Green-house Monitoring and Controlling of System based on Embedded System International Journal of Scientific & Engineering Research, Volume 3, Issue 1, January-2012 1 ISSN 2229-5518
- [4] "Development of a data acquisition and greenhouse control Sys-tem based on GSM"International Journal of Engineering, Science and Technology Vol. 3, No. 8, 2011.pp. 297-306 International jour-nal of engineering, science and Technology
- [5] Raúl Aquino-Santos, Apolinar González-Potes, Miguel A. García-Ruiz, Arthur Edwards-Block, Omar Álvarez- Cárdenas, Margarita Mayoral-Baldivia, Sara Sandoval- Carrillo, Felix Ortigosa-Martínez."Monitoring Physical Variables in Greenhouse Environ-ments"
- [6] Bhasha, S. J., & Hussain, S. M. Agricultural field monitoring and automation using PIC16F877A microcontroller and GSM. interna-tional Journal of Advanced Research in Computer Engineering & Technology (IJARCET) Volume